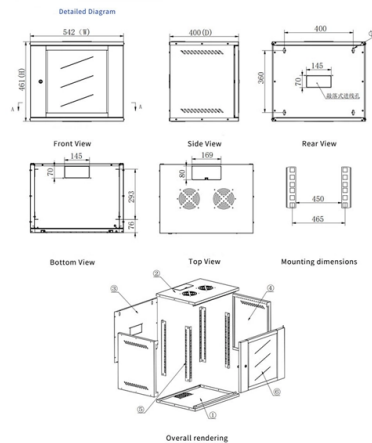


What impact does fiber optic communication have on general communications



Overview

With its ability to transmit data via pulses of light through thin strands of glass or plastic, fiber optics has revolutionized the way we communicate, facilitating the transmission of large volumes of information at unprecedented speeds. Fiber is preferred. Fiber optics play a significant role in modern life, influencing everything from internet speeds to communication methods. These technologies enhance connectivity, enabling faster internet and clearer calls, making daily tasks more efficient. In this article, we explore five. Optical fibres are presently the transmission medium of choice for long distance and high data rate transmission in telecommunication networks because they offer massive and unparalleled transmission bandwidth with little delay.



Article Content

Fiber-optic communication

Overview Background Applications History Technology Parameters Comparison with electrical transmission Governing standards

First developed in the 1970s, fiber-optics have revolutionized the telecommunications industry and have played a major role in the advent of the Information Age. Because of its advantages over electrical transmission, optical fibers have largely replaced copper wire communications in backbone networks in the developed world. The process of communicating using fiber optics involves the following basic steps:

Fiber-Optic Communication

Fiber-optic communication is suitable for long distances, high bandwidth, and high-security requirements. However, it requires a high investment cost and a long time for installation. It fits

Optical Fiber Communication Systems | Springer Nature Link

Optical fiber communication systems have become the cornerstone of modern telecommunications over the past four decades. As the demand for high-speed, high-capacity data

OPTICAL FIBER COMMUNICATION EVOLUTION, TECHNOLOGY

Polymer optical fibers offer many benefits when compared to other data communication solutions such as copper cables, wireless communication systems, and glass fiber.

Recent trends in wireless and optical fiber communication

With optical fiber technology, our scientists have achieved a breakthrough, allowing us to go from one place to another in a matter of seconds. Wireless optical fiber communication networks

Fiber Optics: Understanding the Basics

Fiber also is easier to install and requires less duct space. Applications Some of the major application areas of optical fibers are: • Communications — Voice, data,

Fiber-Optic Communication

In 1982, Bell Labs invested \$210 million in development of fiber-optic communications, and 60 interoffice junction fiber-optic communications systems have already gone into use. Western Electric has

Optical Fiber Communication: A Comprehensive Review

Recent advancements including coherent detection, optical amplification, and fiber-optic sensing are discussed, along with their impact on future networks. The review highlights OFC applications in

Fiber Optics and Modern Communications Backbones — EITC

Enhanced internet connectivity: Fiber optic technology is the foundation for high-speed internet access, enabling streaming services, online gaming, and large data transfers. Improved telecommunications:

Fiber Optics in Communication Networks: Trends ...

Optical fibre communication, a novel communications technology, sparked a lot of attention right once due to its many benefits. It has a low loss, high communication capacity, immunity to...

Fiber-Optic Communication

Fiber optic technology such as fiber Bragg gratings have large number of applications in various fields. Fiber-optic communication is one of the most common methods used for high-speed

Optical Fiber Communication: A Comprehensive Review

Optical Fiber Communication (OFC) revolutionizes modern telecommunications, enabling rapid data transfer across long distances with minimal signal loss. This comprehensive review explores OFC's

Recent trends in wireless and optical fiber communication

With the rise of new technologies such as the Internet of Things, big data, cloud computing, virtual reality, and artificial intelligence, there is an increasing need in society for high

Contact Us

For more information, pricing, or custom solutions, please contact us:

Website: <https://activa.net.pl>

Email: sales@activa.net.pl

Phone: +48 662 748 193

Address: ul. Cybernetyki 7B, 02-677 Warsaw, Poland

This document is for informational purposes only. Specifications subject to change without notice.

